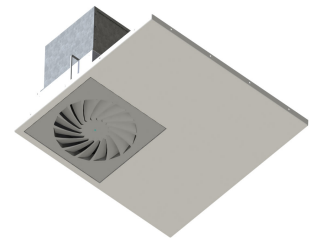
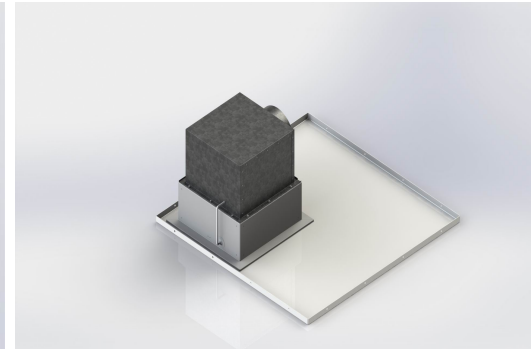
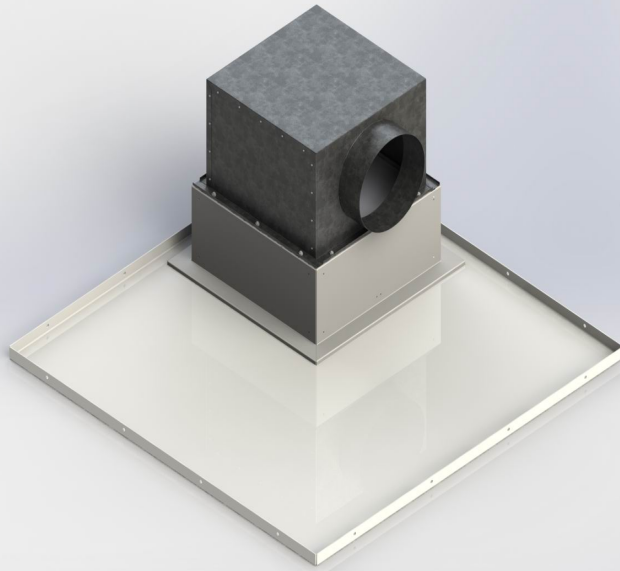


cat. no. 108.07

Filtration attachments

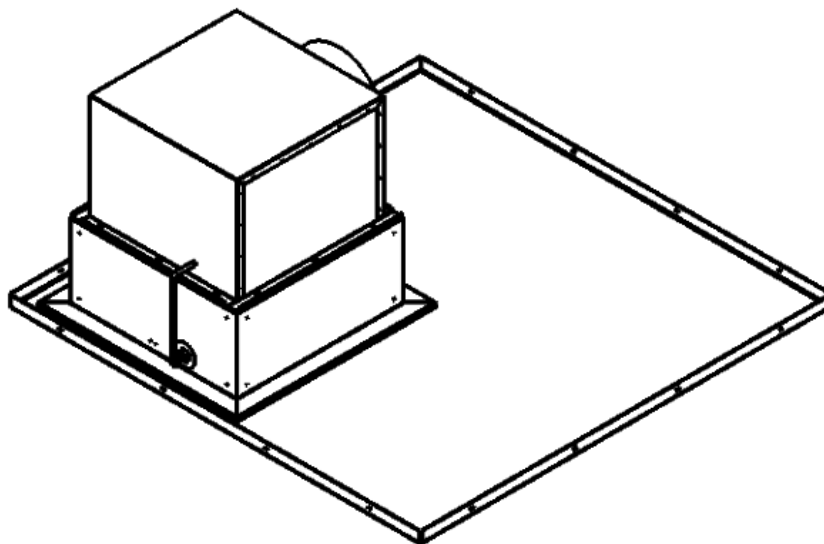
PUROFIL TERMINAL DIFFUSERS FOR WALKABLE SUSPENDED CEILING PANELS



PUROFIL terminal diffusers are intended as an end filtration element in the air distribution system for environments with high demands for the purity of incoming air - such as operating theatres, sterilisation rooms, intensive care units, different areas in pharmaceutical industry, electrical engineering industry, mechanical engineering industry, food industry, etc.

Diffusers are produced in several dimensions of facing, according to HEPA filter size.

To distribute incoming air, the diffusers are fitted with a swirling vent-grille or a perforated element at the bottom.



MORE INFORMATION, PHOTOS



TECHNICAL DATA

Type of product

PUROFIL terminal diffusers for walkable suspended ceiling panels

Filter dimensions

Filter dimensions 305x305x117

Filter dimensions 457x457x117

Filter dimensions 570x570x117

filter dimension tolerance + 0 / -0.5 mm

Air intake

side with round neck

side with rectangular neck

upper with round neck

Size of inlet neck

rectangular neck 120x265, for transition Ø200

rectangular neck 120x417, for transition Ø250

rectangular neck 145x530, for transition Ø315

rectangular neck 80x265, for transition Ø160

rectangular neck 80x417, for transition Ø200

rectangular neck 95x530, for transition Ø250

round neck diameter 160

round neck diameter 200

round neck diameter 250

round neck diameter 315

Damper

Damper (for side round inlet only)

without damper

Transition piece

without transition

one-sided HVAC transition piece

Surface of the visible surfaces of the adapter

thermosetting powder coat Komaxit, standard hue RAL 9002

thermosetting powder coat Komaxit, standard hue RAL 9016

thermosetting powder coat Komaxit, hue RAL

Atypical execution

Typical execution

Atypical execution

Typical execution 0 - clear choice from the options

Atypical execution Q - Atypical design, which can not be clearly identified by means of code

