

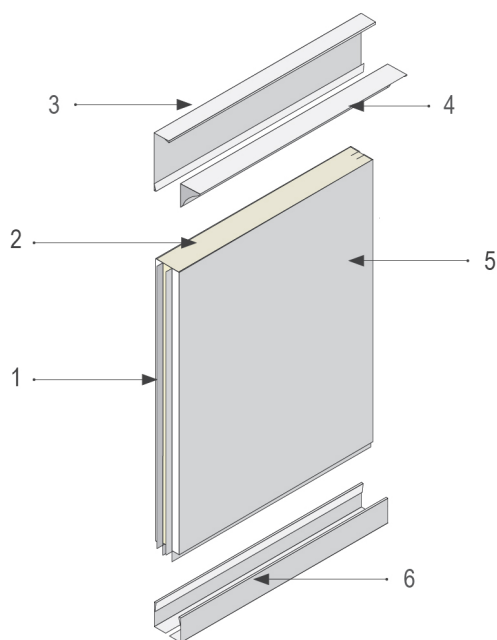
## PARTITION PANEL WITH INCREASED THERMAL RESISTANCE



Panels with increased thermal resistance are used for the construction of thermochambers and cold storage boxes.

### DESCRIPTION

- Sandwich-type panels, consisting of a shell and an inner filling.
- Panels connected by mutual sliding; self-supporting.
- It differs from the basic partition panels by the filling and anchoring to the side partition panels, the floor and the ceiling.
- Media distribution, electrical distribution and HVAC distribution are conducted on the surface, or from the outside of the clean room



1 - Facing; 2 - Filler; 3 - L-profile perpendicular; 4 - L - profile for Fabion; 5 - Facing; 6 - 2x L profiles

## BENEFITS

- In areas constructed with these panels, temperature and pressure according to the customer's requirements are maintained.
- The whole system of connecting panels to each other and to other components (i.e. door casings, ceiling panels, anchoring to the floor) is designed in such a way as to eliminate thermal bridges and minimise heat transfer.
- This panel system also contains other elements for the construction of complete boxes:

## TECHNICAL DATA

### Panel type

partition panel with increased thermal resistance

### Panel thickness T

**102 mm**

122 mm

62 mm

**82 mm**

### Panel width S

**1190 mm**

**560 mm**

S - width in mm according to dimensional range 560 mm, 1190 mm. Preferred dimensions: 1190 mm, 560 mm. It is possible to order atypical panel dimensions: min. dimension 300 mm, max. dimension 1190 mm.

### Panel height H

**2400 mm**

**2600 mm**

Panel height 2400 and 2600 mm. Min. dimension 300 mm, max. dimension 4000 mm.

### Filler

**Styrofoam IB**

### Facing hue and material - standard on the visible side

**Galvanized metal sheet, hue RAL 9002**

Galvanized metal sheet, hue RAL 9016

Stainless steel AISI 304

Powder coating (Komaxit), hue RAL

### Atypical design

#### Type design

Atypical design

Type design

0 - Unique specification out of offered versions

Atypical design

Q - atypical design that cannot be uniquely specified by a code

## MORE INFORMATION, PHOTOS

